

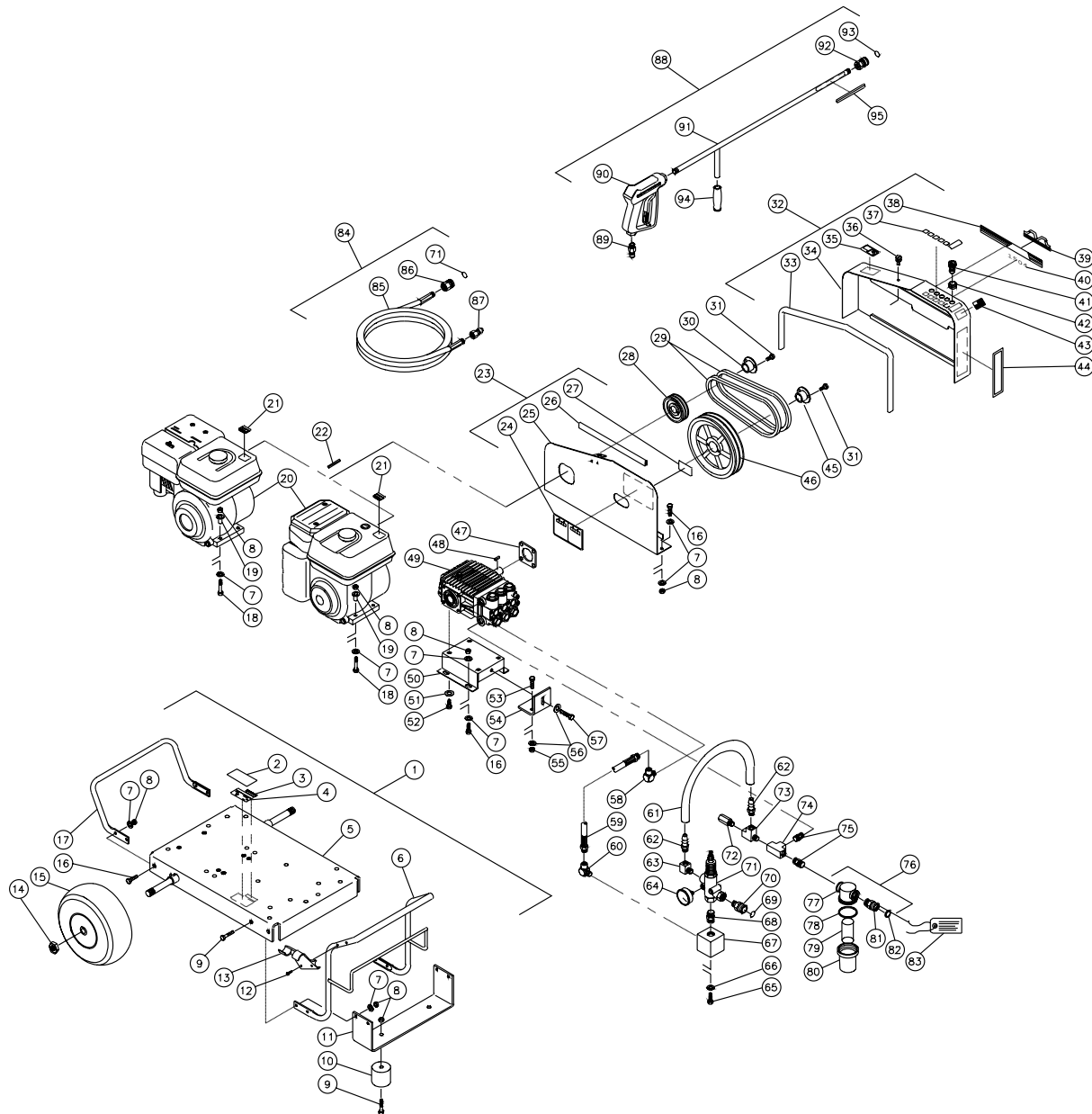
# Mi-T-M<sup>®</sup> CORPORATION

8650 Enterprise Dr., Peosta IA 52068  
319-556-7484 / Fax 319-556-1235

## CW-2504-4MV0/4MH0 PARTS LIST

<b>Engine Oil Grade:</b>	<b>30W SE/SF/SG</b>
<b>Vanguard Engine Oil Capacity:</b>	<b>41 oz.</b>
<b>Honda Engine Oil Capacity:</b>	<b>34.5 oz.</b>
<b>Pump Oil Grade:</b>	<b>Mi-T-M Pump Oil AW-4085-0016</b>
<b>Pump Oil Capacity:</b>	<b>14 oz.</b>
<b>Nozzle Size:</b>	<b>4.5</b>

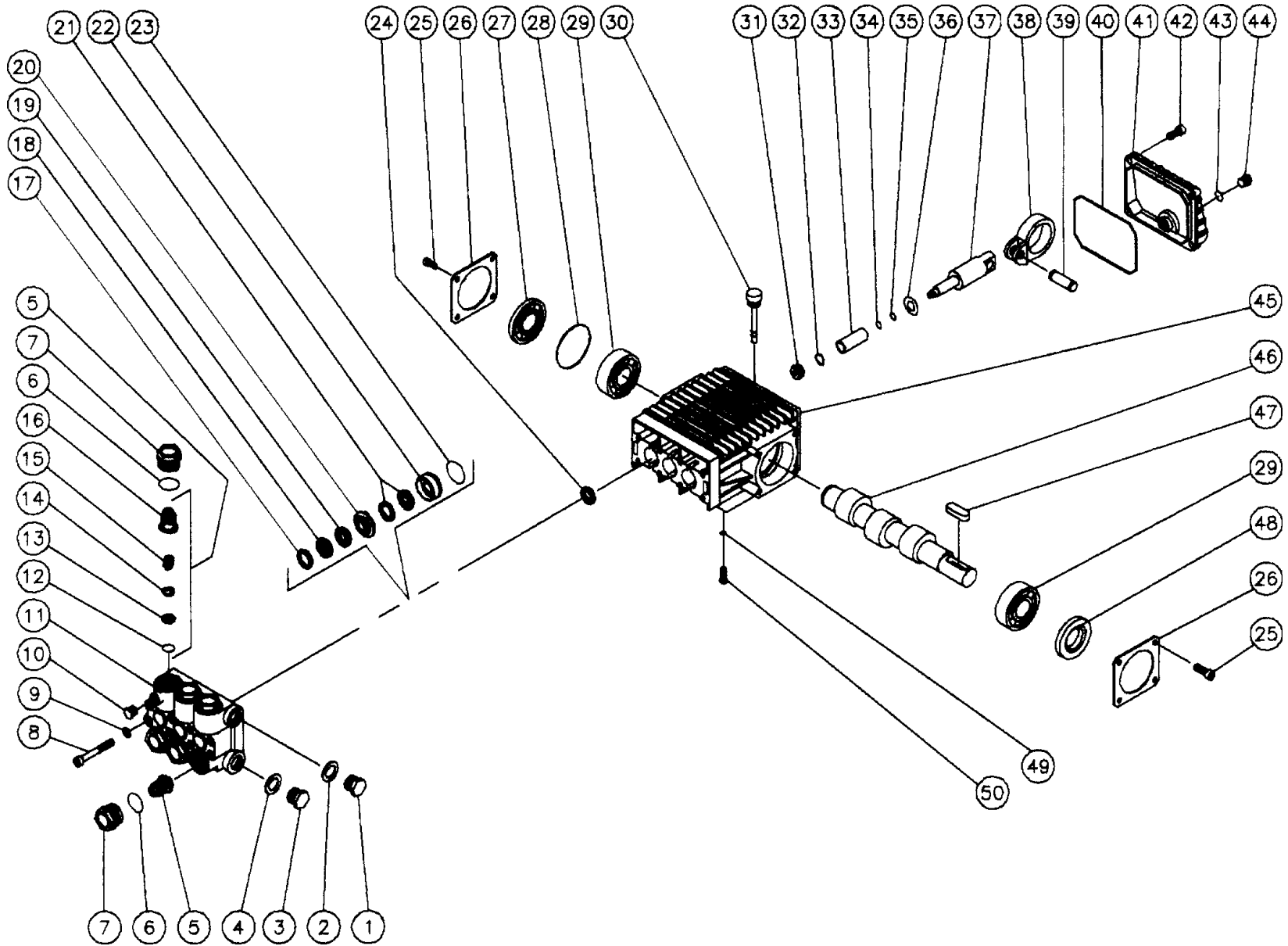
# FRAME ASSEMBLY FOR CW-2504-4MH0/4MV0



OMCWU138 / 090496-JTR

FRAME ASSEMBLY FOR CW-2504-4MH0/4MV0											
REF #	DESCRIPTION	PART #	QTY	REF #	DESCRIPTION	PART #	QTY	REF #	DESCRIPTION	PART #	QTY
1	Base Plate Assembly (5-17)	851-0209	1	33	Edging	33-0020	1	64	Pressure Gauge (Optional Part, #22-0107)	--	1
2	Decal-Clear Laminate	34-0210	1	34	Beltguard Cover (See 851-0214, Ref. #32)	N/A Sep.	1	65	Bolt	27-0116	2
3	Decal-Cold Water Serial Number	N/A	1	35	Decal-Warning: Muffler Hot	34-0130	1	66	Washer	29-0008	2
4	Decal-Silver Sticker	34-0075	1	36	Fastener	33-0197	1	67	Manifold Block	51-0012	1
5	Base Plate	5-0090A01	1	37	Decal-Nozzles: 0 , 15 , 25 , 40	34-0500	1	68	Hex Nipple	24-0031	1
6	Handle-Front	7-0101A01	1	38	Decal-Mi-T-M Stripe	34-0502	1	69	O-Ring	25-0123	2
7	Washer	28-0003	28	39	Decal-Mi-T-M Logo	62-0086	1	70	Quick Connect Socket	17-0029	1
8	Locknut	30-0157	22	40	Decal-White Die Cut: 2504	34-0512	1	71	Unloader	8-0032	1
9	Bolt	27-0068	6	41	Spray Nozzle - 00045	18-0033	1	72	Heat Dump Valve	22-0005	1
10	Isolator	14-0008	2		Spray Nozzle - 15045	18-0039	1	73	Tee	23-0124	1
11	Underbracket	13-0042A01	1		Spray Nozzle - 25045	18-0060	1	74	Tee	23-0043	1
12	Screw	27-3062	2		Spray Nozzle - 40045	18-0065	1	75	Hex Nipple	23-0012	2
13	Wand holder-Plastic	62-0085	1	42	Grommet	33-0001	5	76	Strainer Complete (78-83)	19-0057	1
14	Jamnut	30-0117	2	43	Decal-American Flag	34-0521	1	77	Strainer Cap	19-0058	1
15	Wheel	14-0006	2	44	Decal-Operating Instructions	34-0499	1	78	Strainer Gasket	26-0160	1
16	Bolt	27-0067	12	45	Bushing	9-0017	1	79	Strainer Steel Screen	19-0059	1
17	Handle-Rear	7-0104A01	1	46	Sheave	10-0035	1	80	Strainer Bowl	19-0060	1
18	Bolt	27-0070	4	47	Isolator-Pump	33-0201	1	81	Garden Hose Swivel	23-0095	1
19	Engine Shim	33-0169	4	48	Key-with pump	46-0601	1	82	Garden Hose Gasket	26-0001	1
20	Engine-9.0 Honda	1-0065	1	49	Pump	3-0121	1	83	Tag-Water Supply Inlet	34-0097	1
21	Engine-9.0 HP Vanguard	1-0070	1	50	Pump Bracket	5-0097A01	1	84	High Pressure Hose Assy. (85-87)	851-0007	1
	Decal-Caution: Allow to Cool	34-0588	1	51	Washer-with pump	29-0054	4	85	Quick Connect Socket	17-0004	1
22	Key	43-0078	1	52	Bolt-with pump	27-8042	4	86	High Pressure Hose (3000 PSI)	15-0003	1
23	Beltguard Back Assembly (24-27)	851-0213	1	53	Bolt	27-0118	2	87	Quick Connect Plug	17-0006	1
24	Decal-Caution/Warning Statements	34-0498	1	54	Brace Tightener	13-0005A01	1	88	Gun/Wand Assembly (89-92, 94)	851-0095	1
25	Beltguard Back (See 851-0213, Ref. #23)	N/A Sep.	1	55	Locknut	30-0159	2	89	Quick Connect Plug	17-0005	1
26	Edging *(13.5 inches required)	33-0020	1	56	Washer	28-0023	3	90	Gun	16-0001	1
27	Decal-Warning: Beltguard in Place	34-0575	1	57	Bolt	27-0576	1	91	Wand	16-0120	1
28	Sheave	10-0029	1	58	Elbow	24-0105	1	92	Quick Connect Socket	17-0001	1
29	Belt-Honda	11-0023	2	59	Hose	15-0024	1	93	O-ring	25-0122	1
30	Belt-Vanguard	11-0020	2	60	Elbow	24-0006	1	94	Handle Grip	7-0002	1
31	Bushing	9-0005	1	61	By-pass Hose	15-0035	1	95	Decal-Warning: Risk of Injection	34-0572	1
32	Bolt-with bushing	27-0015	4	62	Hose Barb	23-0007	2		*Must order in one foot lengths.		
32	Beltguard Cover Assy. (33-39, 42-44)	851-0214	1	63	Elbow	23-0035	1				

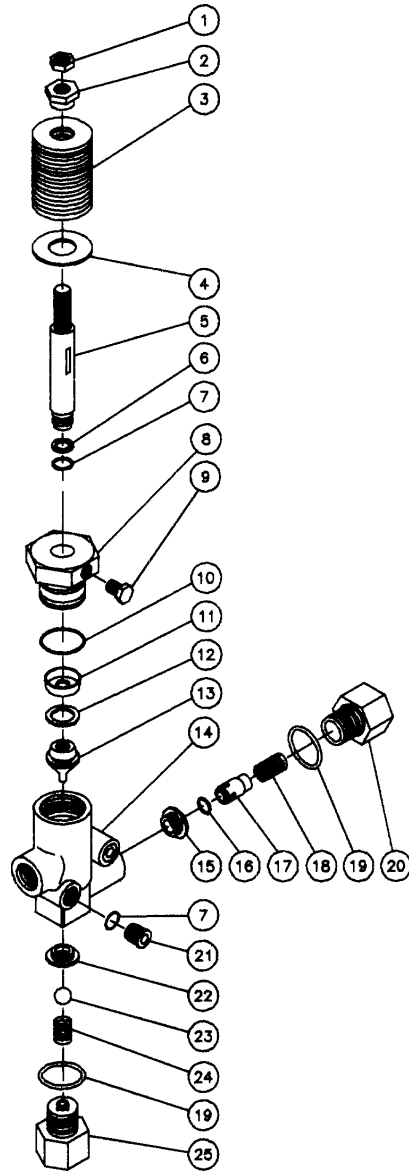
# PUMP ASSEMBLY (3-0121)



OMPMP018 / 110195BAR

PUMP ASSEMBLY (3-0121)								
REF. #	DESCRIPTION	PART #	QTY.		REF. #	DESCRIPTION	PART #	QTY.
1	Hex Plug	39-0018	1		27	Oil Level Indicator / Spacer	46-0574	1
2	Washer	28-0600	1		28	O-ring	25-0060	1
3	Hex Plug	39-0019	1		29	Ball Bearing	48-0050	1
4	Washer	28-0601	1		30	Oil Dipstick	46-0143	1
5	Valve Assy. (12-16) (See 70-0028)	N/A Sep.	6		31	Nut	46-0168	3
6	O-ring	25-0012	6		32	Washer	46-0166	3
7	Valve Plug	39-0071	6		33	Plunger	46-0603	3
8	Bolt	27-8439	8		34	O-ring	25-0045	3
9	Lockwasher	29-0154	8		35	Back-up Ring	25-0143	3
10	Hex Plug	39-0032	1		36	Flinger Washer	28-1018	3
11	Pump Manifold-Brass 18mm	46-0614	1		37	Piston Guide	46-0573	3
12	O-ring (See 70-0028)	N/A	6		38	Connecting Rod	46-0572	3
13	Valve Seat (See 70-0028)	N/A	6		39	Pin for Connecting Rod	43-0079	3
14	Valve Plate (See 70-0028)	N/A	6		40	O-ring	25-0317	1
15	Valve Spring (See 70-0028)	N/A	6		41	Crankcase cover	46-0571	1
16	Valve Cage (See 70-0028)	N/A	6		42	Bolt	27-8401	5
17	Head Ring (See 852-0114)	N/A	3		43	O-ring	25-0014	1
18	V-Packing (See 852-0114)	N/A	3		44	Hex Plug	39-0017	1
19	Stop Ring Packing (See 852-0114)	N/A	3		45	Crankcase	46-0570	1
20	Intermediate Ring	46-0608	3		46	Crankcase Shaft	46-0601	1
21	Low Pressure Seal (See 852-0114)	N/A	3		47	Key	46-0602	1
22	Packing Retainer	46-0612	3		48	Oil Seal	46-0604	1
23	O-ring	25-0048	3		49	Lockwasher	29-0054	4
24	Oil Seal	26-0046	3		50	Bolt	27-8042	4
25	Bolt	27-8000	4			Valve Kit (6 each of 12-16)	70-0028	
26	Retainer / Oil Level / Spacer	46-0084	1			V-Packing Kit ( 3 each 17, 18, 19, & 21)	852-0114	

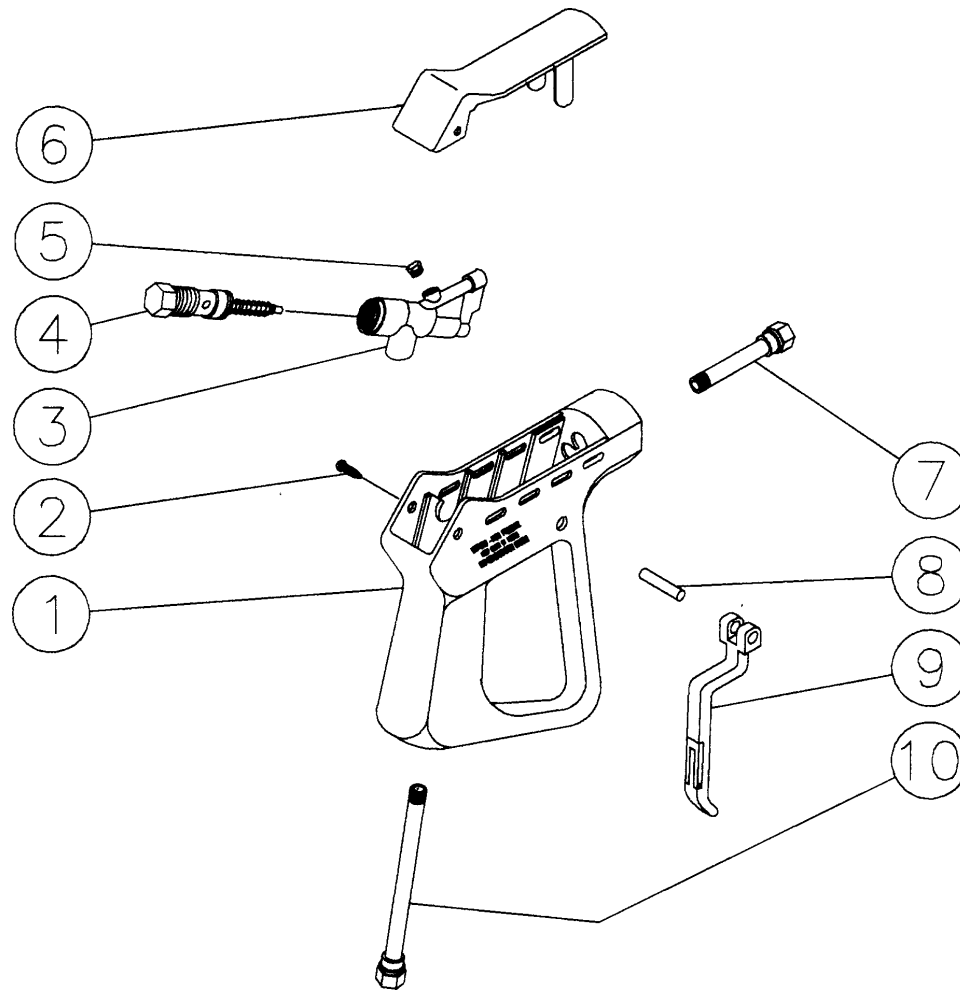
# UNLOADER ASSEMBLY (8-0032)



OMGEN074 / 083094BAR

UNLOADER ASSEMBLY (8-0032)			
REF.#	DESCRIPTION	PART #	QTY.
1	Locknut	30-3058	1
2	Adjusting Nut	8-0089	1
3	Spring Washers	8-0009	15
4	Washer	28-0250	1
5	Valve Stem	8-0037	1
6	Back-up Ring	8-0038	1
7	O-ring	25-0009	5
8	Valve Cap	8-0036	1
9	Set Screw	8-0084	1
10	O-ring	25-0008	1
11	Cup	8-0034	1
12	Back-up Ring	8-0040	1
13	Piston	8-0039	1
14	Valve Body	8-0164	1
15	Outlet Seat	8-0006	1
16	O-ring	25-0011	1
17	Outlet Valve	8-0004	1
18	Spring	49-0016	1
19	O-ring	25-0010	2
20	Outlet Retainer	8-0003	1
21	Brass Plug	8-0011	4
22	Valve Seat	8-0005	1
23	Brass Ball	8-0041	1
24	Spring	49-0015	1
25	Inlet Retainer	8-0165	1
	Unloader Repair Kit (Inc. 6, 7, 10-12, 16 and 19)	70-0044	

# GUN ASSEMBLY (16-0001)

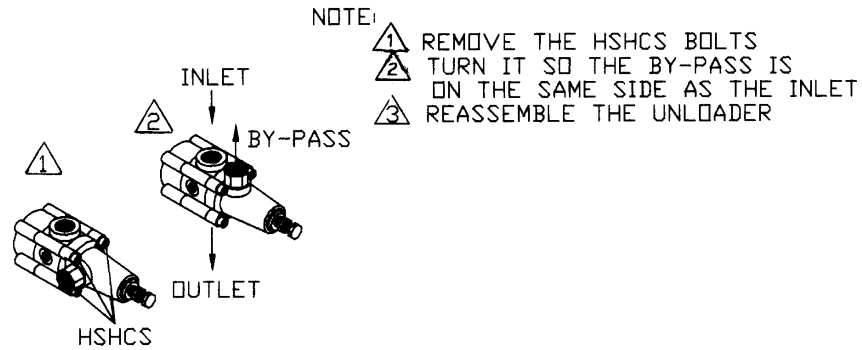
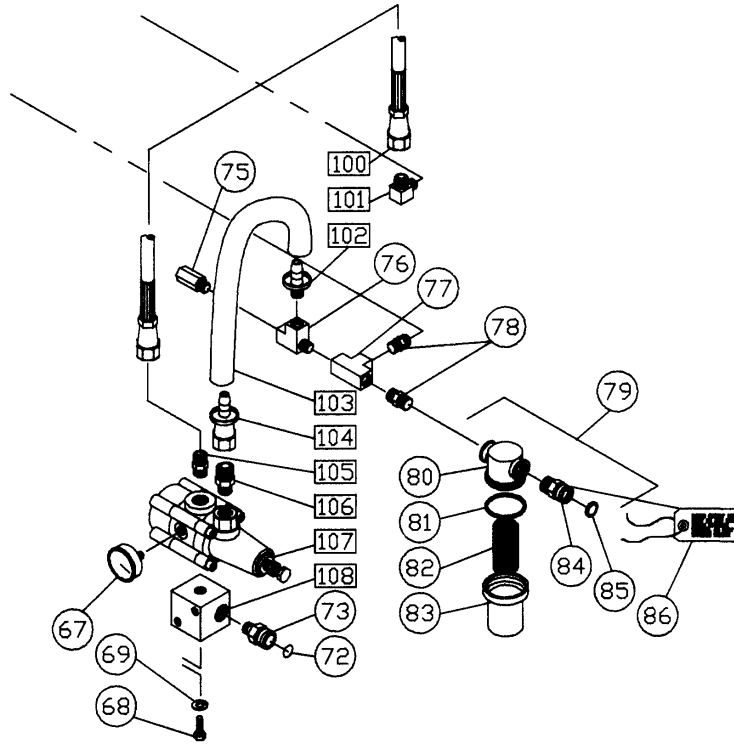


OMGEN013 / 080294BAR



<b>GUN ASSEMBLY (16-0001)</b>			
<b>Ref. #</b>	<b>Description</b>	<b>Part #</b>	<b>Qty.</b>
1	Plastic Housing	16-0008	1
2	Screw	27-3230	2
3	Brass Housing	16-0012	1
4	Gun Repair Kit	70-0055	1
5	Brass Plug	39-0024	1
6	Plastic Cover	16-0009	1
7	Pipe Assembly	16-0013	1
8	Trigger Pin	16-0063	1
9	Trigger Safety Lock-off	16-0010	1
10	Pipe Assembly-Inlet	16-0016	1
	Gun Assembly Complete	16-0001	1

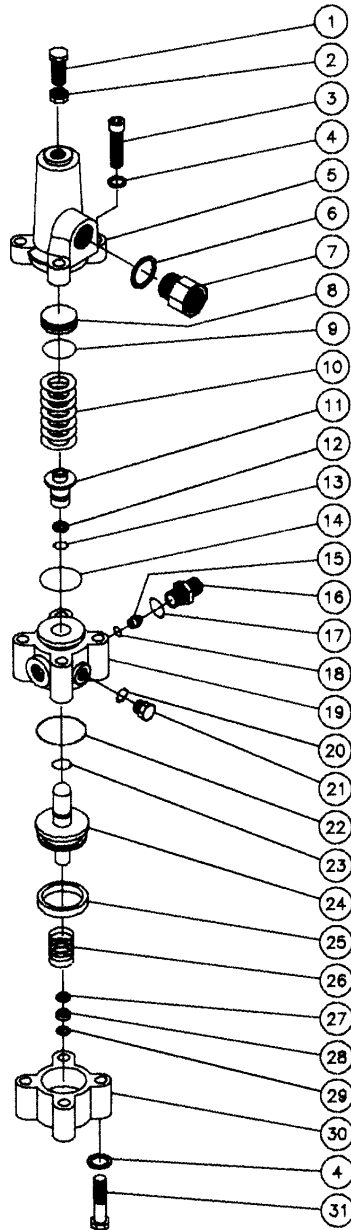
# CONVERT 8-0032 UNLOADER TO K-7.0 (8-0012) UNLOADER (OPTION CX-0042)



PDCX0042 / 082994DCE

CONVERT 8-0032 UNLOADER TO K-7 (8-0012) UNLOADER (OPTION CX-0042)			
REF #	DESCRIPTION	PART #	QTY.
100	Hose (3/8" x 17.5")	15-0152	1
101	Elbow	23-0260	1
102	Hose Barb	23-0005	1
103	By-Pass Hose (1/2" x 17")	15-0022	1
104	Swivel Barb	23-0261	1
105	Nipple	23-0258	1
106	Nipple	23-0259	1
107	Unloader (K-7)	8-0012	1
108	Manifold Block	51-0015	1
<p>Note: Circled numbers denote items already existing on the unit. See "Frame Assembly" drawing, page 2 of this Parts List for extended reference number placement.</p>			

# K-7.0 (8-0012) UNLOADER



OMGEN066 / 083094BAR

K-7.0 UNLOADER (8-0012)			
REF #	DESCRIPTION	PART #	QTY.
1	Bolt	27-8077	1
2	Hex Nut	30-3010	1
3	Bolt	27-8434	4
4	Lockwasher	29-0154	8
5	Upper Body	8-0138	1
6	Washer	8-0277	1
7	By-pass Restrictor	8-0125	1
8	Spring Guide	8-0135	1
9	O-ring	25-0118	1
10	Spring	49-0026	1
11	Valve Seat	8-0145	1
12	Back-up Ring	8-0141	1
13	O-ring	25-0121	1
14	O-ring	25-0117	1
15	Orifice	8-0126	1
16	Nipple	8-0130	1
17	O-ring	25-0052	1
18	O-ring	25-0119	1
19	Middle Body	8-0137	1
20	O-ring	25-0114	1
21	Hex Plug	39-0017	2
22	O-ring	25-0056	1
23	O-ring	25-0120	1
24	Piston Assembly	8-0136	1
25	Seal	26-0104	1
26	Spring	49-0027	1
27	Washer	8-0139	1
28	Seal	26-0105	1
29	Back-up Ring	8-0140	1
30	Lower Body	8-0134	1
31	Bolt	27-8037	4
	Unloader Repair Kit (Inc. 9, 11, 13, 14, 17, 18, 20, 22-26, 28 & 29)	70-0013	
	Unloader Orifice Kit (7, 15, 16)	852-0014	

---

**NOTES**

---

---

**NOTES**

---

